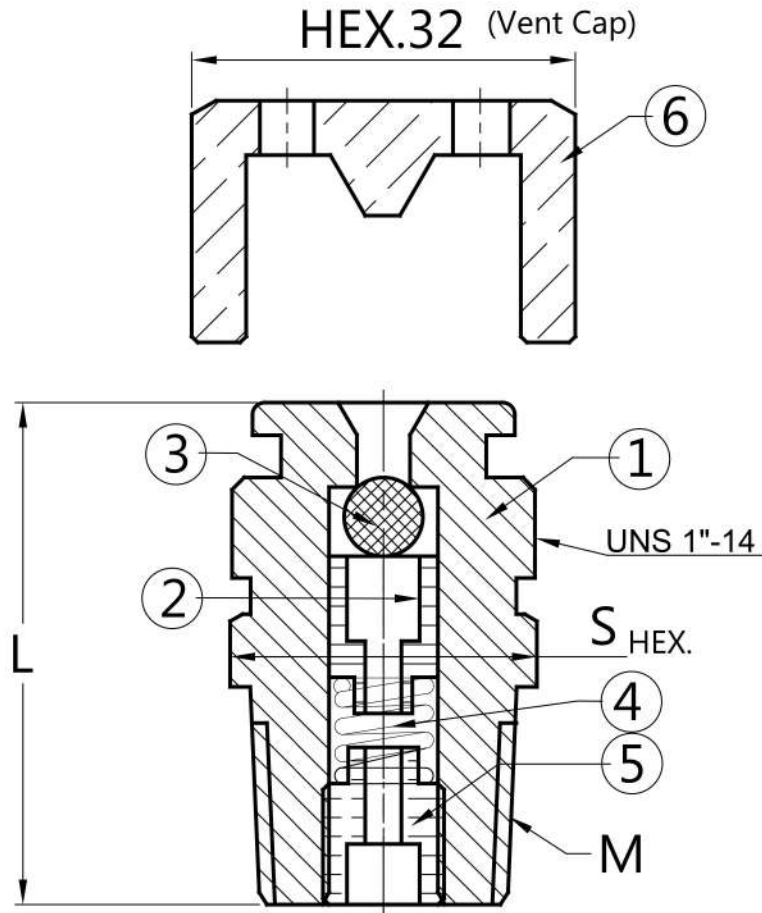




Free Flow Grease Fitting (M Type)



NO.	①	②	③	④	⑤	⑥
Parts	Body	Retainer	Ball	Spring	Screw	Cap

Max Pressure Class: 10,000 psi (69 MPA)
 Application: Oilfield, Marine
 Standard: API 6D
 Available to OEM or other size

Unit:mm

Thread size	Head type	Body Material	Ball Material	Spring Material	Part Number	S	L	M
1/4" NPT	Giant button head	SS316	K-Monel	Inconel X750	MGFBH14-316	25.4	40.5	1/4" NPT
3/8" NPT	Giant button head	SS316	K-Monel	Inconel X750	MGFBH38-316	25.4	41	3/8" NPT
1/2" NPT	Giant button head	SS316	K-Monel	Inconel X750	MGFBH12-316	25.4	41.5	1/2" NPT
3/4" NPT	Giant button head	SS316	K-Monel	Inconel X750	MGFBH34-316	25.4	44	3/4" NPT
1" NPT	Giant button head	SS316	K-Monel	Inconel X750	MGFBH11-316	25.4	47	1" NPT