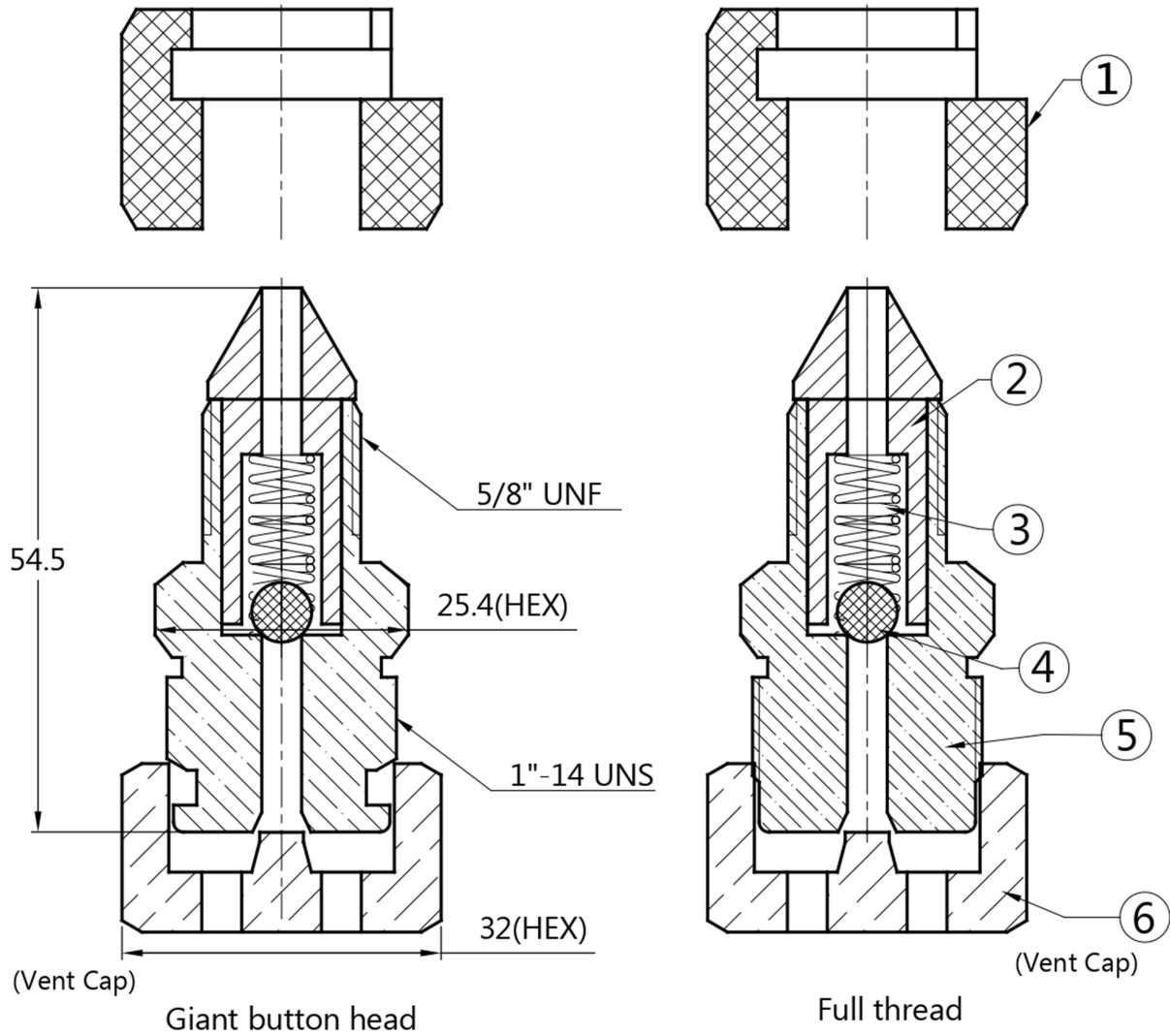




# Leak Lock Fitting



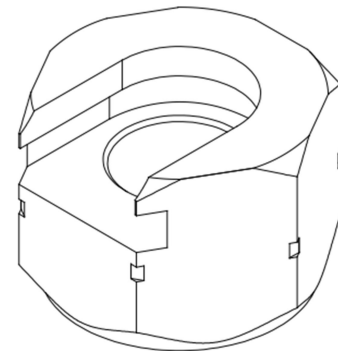
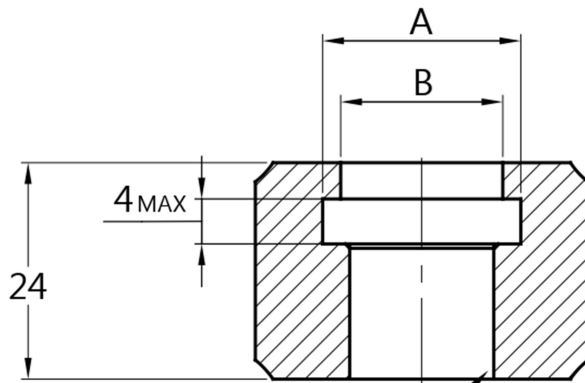
NO.	①	②	③	④	⑤	⑥
Parts	Adapter	Spring Support	Spring	Ball	Body	Cap

Max Pressure Class: 10,000 psi (69 MPA)  
 Application: Oilfield, Marine  
 Standard: API 6D  
 Available to OEM or other size

Max Pressure Class: 10,000 psi (69 MPA)  
 Application: Oilfield, Marine  
 Standard: API 6A, API 6C  
 Available to OEM or other size



# Leak Lock Fitting



5/8" UNF

Unit:mm

Leak Lock Slot size	Fitting Head Type	Body Material	Teamco Part Number	A	B
22mm	Giant button head	4140(Zinc plating)	LKBH58U-S22-4140	22	18
		SS316	LKBH58U-S22-316		
	Full Thread	4140(Zinc plating)	LKFT58U-S22-4140		
		SS316	LKFT58U-S22-316		
19mm	Giant button head	4140(Zinc plating)	LKBH58U-S19-4140	19	13
		SS316	LKBH58U-S19-316		
	Full Thread	4140(Zinc plating)	LKFT58U-S19-4140		
		SS316	LKFT58U-S19-316		
15mm	Giant button head	4140(Zinc plating)	LKBH58U-S15-4140	15	11
		SS316	LKBH58U-S15-316		
	Full Thread	4140(Zinc plating)	LKFT58U-S15-4140		
		SS316	LKFT58U-S15-316		