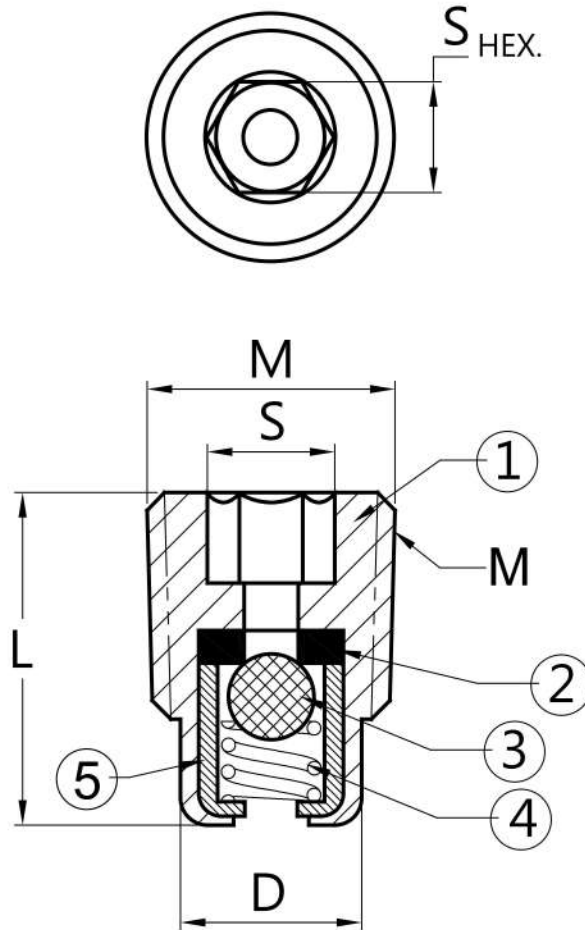




Internal Check Valve (Buried Check)

Crimp Type



NO.	①	②	③	④	⑤
Parts	Body	Gasket	Ball	Spring	Retainer

Max Pressure Class: 10,000 psi (69 MPA)

Application: Oilfield, Marine

Standard: API 6D

Available to OEM or other size

Unit:mm

Thread size	Type	Body Material	Ball Material	Spring Material	Part Number	S	L	D	M
1/4" NPT	Crimp	4140(Zinc plating)	K-Monel	Inconel X750	SCSB14-414	S8	16.2	10	1/4" NPT
		SS316			SCSB14-316				
3/8" NPT	Crimp	4140(Zinc plating)	K-Monel	Inconel X750	SCSB38-414	S6	21.5	13	3/8" NPT
		SS316			SCSB38-316				