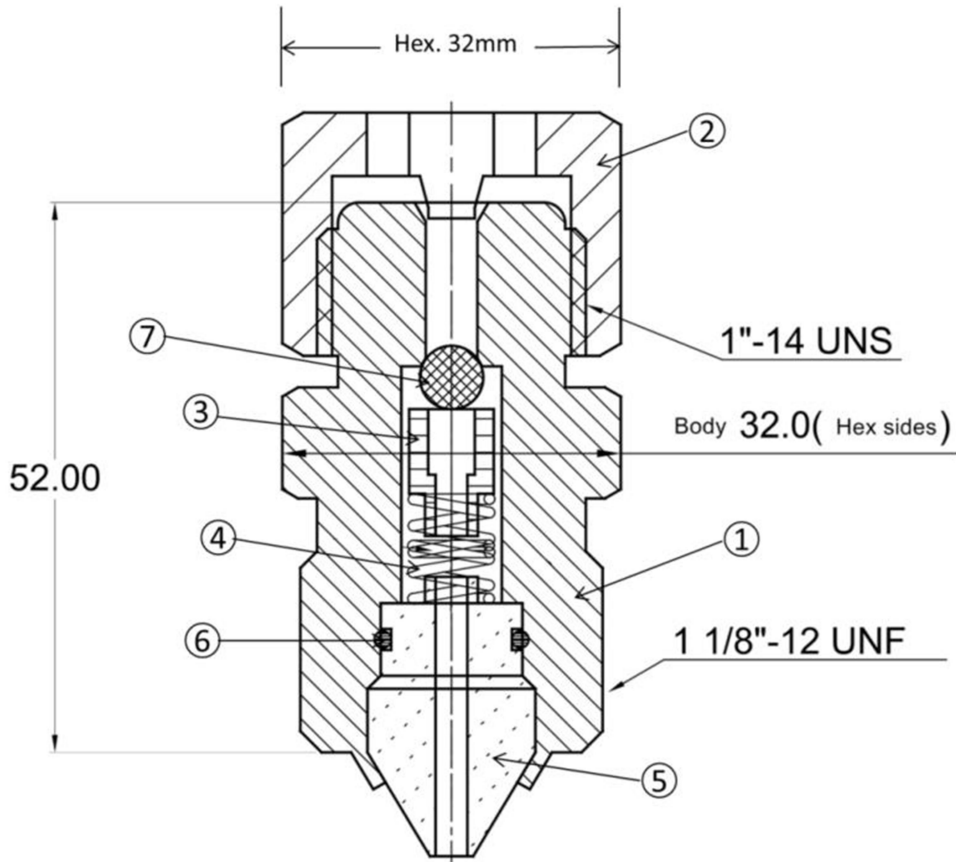




Teamco Industries Corporation

High Pressure Grease Fitting (Autoclave)



No	①	②	③	④	⑤	⑥	⑦
Parts	Body	Cap	Spring Support	Spring	Autoclave Cone	O-Ring	Ball

Max Pressure Class: 22,000psi (152Mpa)

Application: Oilfield, Marine, Wellhead

Standard: API6A, API6C

Available to OEM or Other Size

Unit: mm



Thread size	Type	Body Material	Ball Material	Spring Material	Part Number
1-1/8" UNF	Full Thread/ Autoclave	17-4PH	Tungsten Carbide	Inconel X-750	GFAC98-174