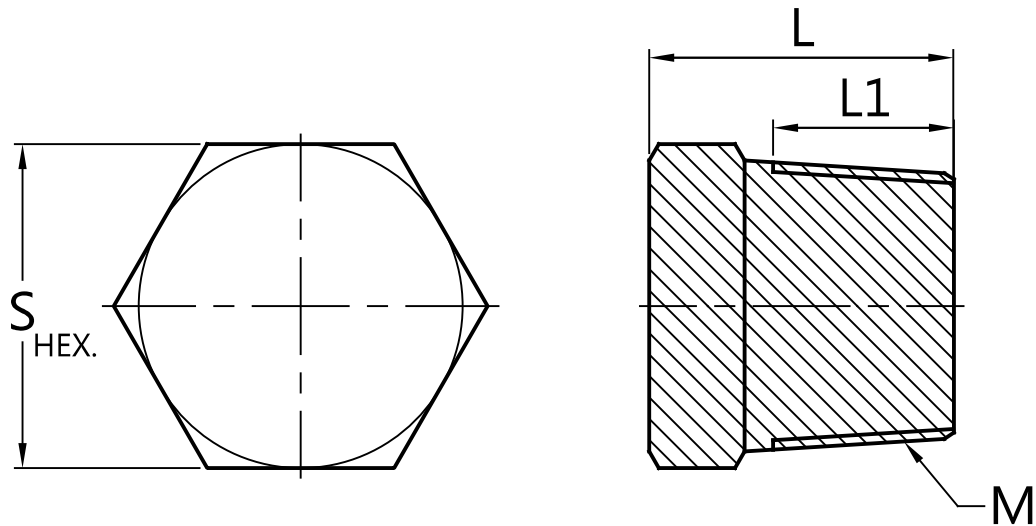




HEX HEAD PLUG



Max Pressure Class: 10,000 psi (69 MPA)

Application: Oilfield, Marine

Standard: API 6A, API 6D

Available to OEM or other size

Unit:mm

Thread size	Material	Part Number	S	L	M	L1
1/4" NPT	1215	HPNP14-121	17	25	1/4" NPT	18
	4140	HPNP14-414				
	SS316	HPNP14-316				
3/8" NPT	1215	HPNP38-121	19	26	3/8" NPT	19
	4140	HPNP38-414				
	SS316	HPNP38-316				
1/2" NPT	1215	HPNP12-121	22	30	1/2" NPT	20
	4140	HPNP12-414				
	SS316	HPNP12-316				
3/4" NPT	1215	HPNP34-121	27	31	3/4" NPT	21
	4140	HPNP34-414				
	SS316	HPNP34-316				
1" NPT	1215	HPNP11-121	34	32	1" NPT	22
	4140	HPNP11-414				
	SS316	HPNP11-316				