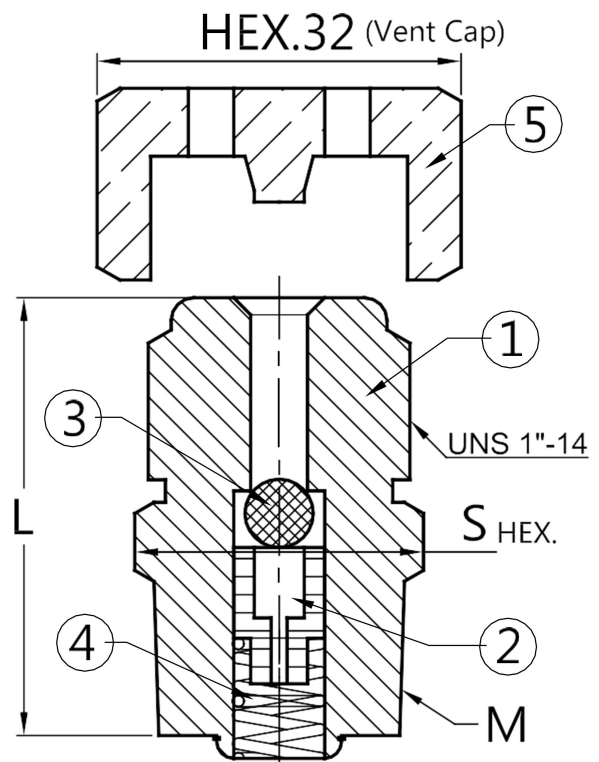
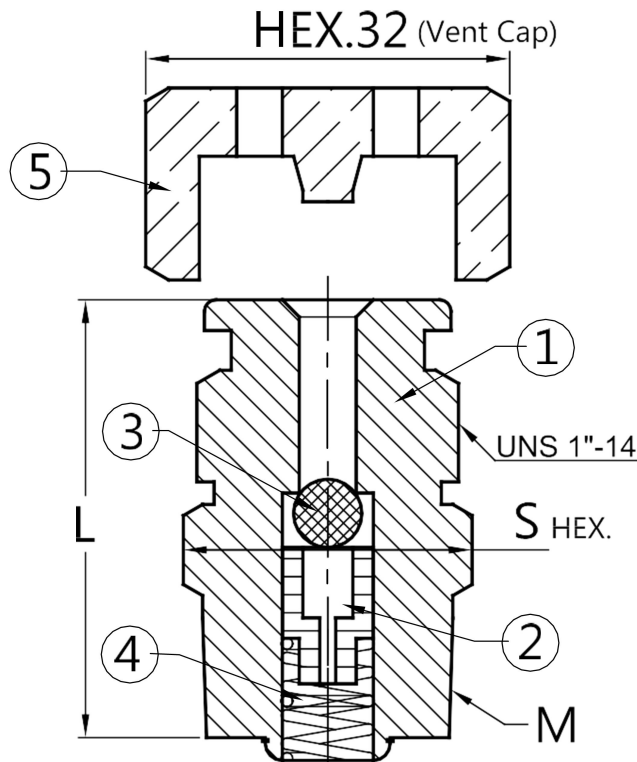




# Grease fitting

Giant button head

Full thread



NO.	①	②	③	④	⑤
Parts	Body	Retainer	Ball	Spring	Cap

Max Pressure Class: 10,000 psi (69 MPA)  
 Application: Oilfield, Marine  
 Standard: API 6D  
 Available to OEM or other size

Max Pressure Class: 10,000 psi (69 MPA)  
 Application: Oilfield, Marine  
 Standard: API 6A, API 6C  
 Available to OEM or other size

Unit:mm

Thread size	Head type	Body Material	Ball Material	Spring Material	Part Number	S	L	M
1/4" NPT	Full thread	4140 (Zinc plating)	K-Monel	Inconel X750	GFFT14-414	25.4	38.5	1/4" NPT
		SS316			GFFT14-316			
	Giant button head	4140 (Zinc plating)	K-Monel	Inconel X750	GFBH14-414			
		SS316			GFBH14-316			
3/8" NPT	Full thread	4140 (Zinc plating)	K-Monel	Inconel X750	GFFT38-414	25.4	40.5	3/8" NPT
		SS316			GFFT38-316			
	Giant button head	4140 (Zinc plating)	K-Monel	Inconel X750	GFBH38-414			
		SS316			GFBH38-316			
1/2" NPT	Full thread	4140 (Zinc plating)	K-Monel	Inconel X750	GFFT12-414	25.4	41	1/2" NPT
		SS316			GFFT12-316			
	Giant button head	4140 (Zinc plating)	K-Monel	Inconel X750	GFBH12-414			
		SS316			GFBH12-316			
3/4" NPT	Full thread	4140 (Zinc plating)	K-Monel	Inconel X750	GFFT34-414	30	44	3/4" NPT
		SS316			GFFT34-316			
	Giant button head	4140 (Zinc plating)	K-Monel	Inconel X750	GFBH34-414			
		SS316			GFBH34-316			
1" NPT	Full thread	4140 (Zinc plating)	K-Monel	Inconel X750	GFFT11-414	34	47	1" NPT
		SS316			GFFT11-316			
	Giant button head	4140 (Zinc plating)	K-Monel	Inconel X750	GFBH11-414			
		SS316			GFBH11-316			