

VALVE FITTING



Products	Materials	Standards
Grease Fitting	Inconel	API 6A
Leak Lock Fitting	Monel	API 6C
Internal Check Valve	Stainless Steel	API 6D
Packing Injection Fitting	Alloy	
Pressure Relief Valve	Carbon Steel	
Hex Head Plug		

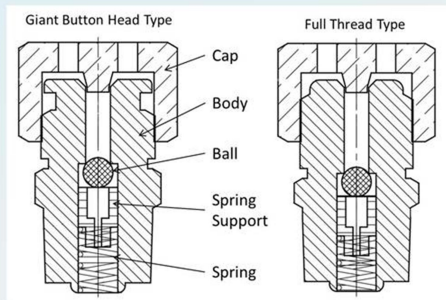
* All materials per customer's requirements



Website: <https://www.teamco.com.tw/>

Contact: info@teamco.com.tw

Grease Fitting

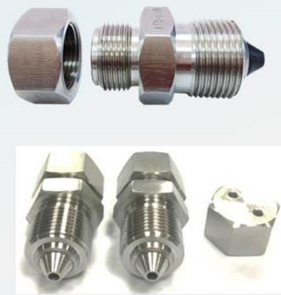
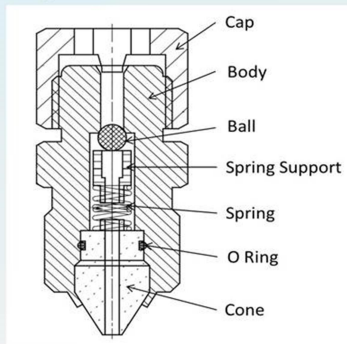


Body Material	Inconel, SS316, SS304, 4140, A105
Spring	Inconel X-750
Ball	Monel K-500
Thread Size	NPT – 1", 3/4", 1/2", 3/8", 1/4"

Standard: API 6A, 6C Standard: API 6D

Pressure Class: 5,000 ~ 20,000psi

High Pressure Grease Fitting

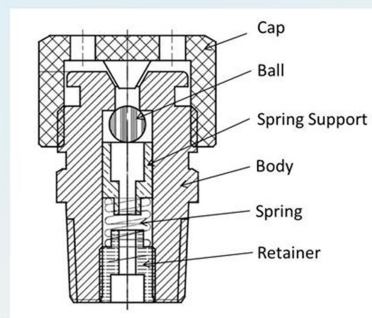


Body Material	Inconel, SS316, 17-4PH, 4140
Spring	Inconel X-750
Ball	Monel K-500
Thread Size	UNF – 1-1/8"

Standard: API 6A, 6C

Pressure Class: 8,000 ~ 22,000psi

Free Flow Grease Fitting

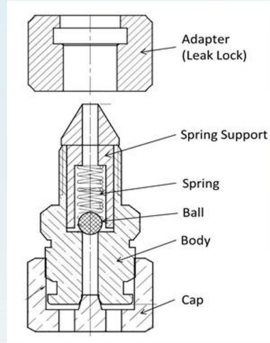


Body Material	Inconel, SS316, SS304, 4140, A105
Spring	Inconel X-750
Ball	Monel K-500
Thread Size	NPT – 1", 3/4", 1/2", 3/8", 1/4"

Standard: API 6D, 6A

Pressure Class: 5,000 ~ 20,000psi

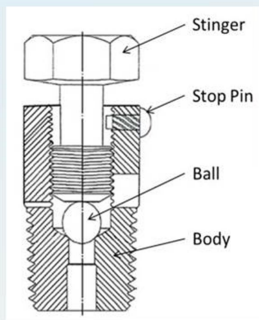
Leak Lock Fitting



Body Material	SS316, SS304, 4140, A105
Spring	Inconel X-750
Ball	Monel K-500
Thread Size	UNF – 5/8"

Standard: API 6A, 6C
Pressure Class: 5,000 ~ 20,000psi

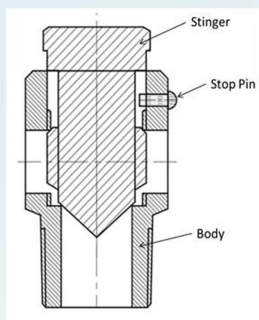
Pressure Relief Valve



Body Material	Inconel, SS316, SS304, 4140, A105
Stinger	SS316, SS304, 4140
Ball	Tungsten Carbide, Inconel X-750, Monel K-500, SS316, SS304
Thread Size	NPT – 1", 3/4", 1/2", 3/8", 1/4"

Standard: API 6D
Pressure Class: 1,000 ~ 20,000psi

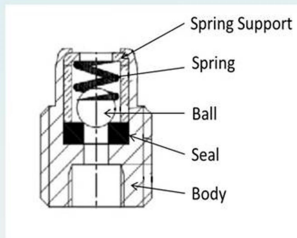
Pressure Relief Valve Needle Type



Body Material	Inconel, SS316, SS304, 4140, A105
Stinger	SS316, SS304, 4140
Ball	Tungsten Carbide, Inconel X-750, Monel K-500, SS316, SS304
Thread Size	NPT – 1", 3/4", 1/2", 3/8", 1/4"

Standard: API 6D
Pressure Class: 1,000 ~ 20,000psi

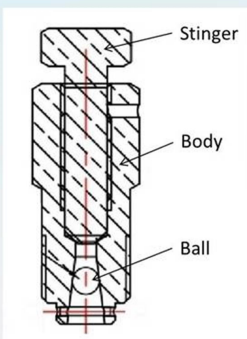
Internal Check Valve



Body Material	Inconel, SS316, SS304, 4140, A105
Spring	Inconel X-750, SS316, SS304
Ball	Tungsten Carbide, Inconel X-750, Monel K-500, SS316, SS304
Thread Size	NPT – 3/4", 1/2", 3/8", 1/4"

Standard: API 6D
Pressure Class: 1,000 ~ 20,000psi

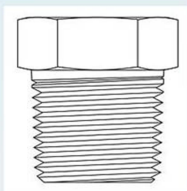
Packing Injection Fitting



Body Material	Inconel, SS316, SS304, 4140, A105
Ball	Tungsten Carbide, Inconel X-750, Monel K-500, SS316, SS304
Thread Size	NPT – 1", 3/4", 1/2", 3/8", 1/4"

Standard: API 6A
Pressure Class: 1,000 ~ 20,000psi

Hex Head Plug



Body Material	Inconel, SS316, SS304, 4140, A105
Thread Size	NPT – 1", 3/4", 1/2", 3/8", 1/4", 1/8"

Standard: API 6A, 6D
Pressure Class: 1,000 ~ 20,000psi