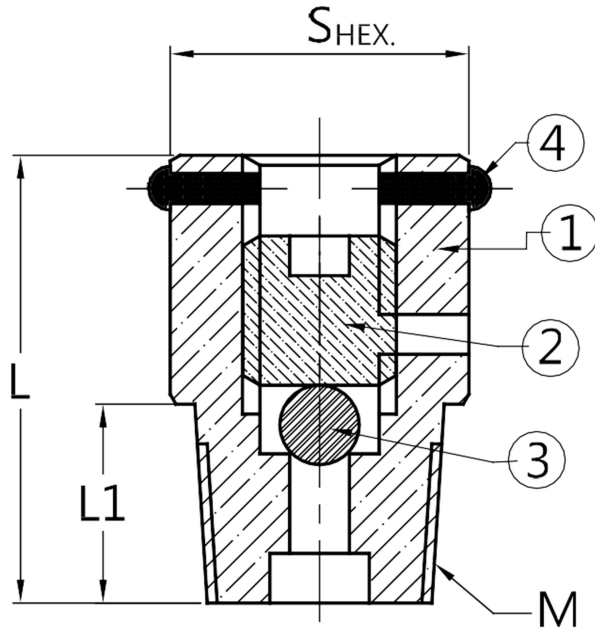


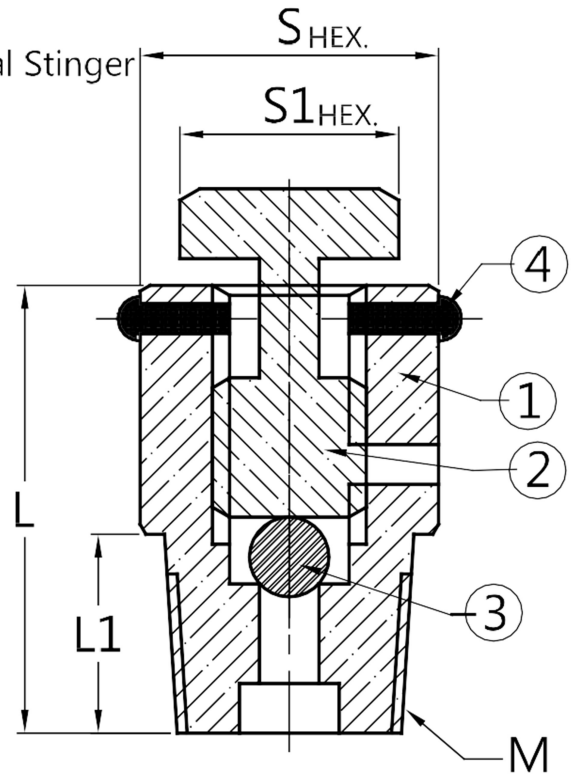


Pressure Relief Valve

Socket Head



External Stinger



NO.	①	②	③	④
Parts	Body	Stinger	Ball	Stop Pin

Max Pressure Class: 10,000 psi (69 MPA)

Application: Oilfield, Marine

Standard: API 6A, API 6D

Available to OEM or other size

Unit:mm

Thread size	Style	Material	Ball Material	Part Number	S	L	M	L1	S1
1/4" NPT	External Stinger	4140 Zinc Plating	Tungsten Carbide	BFES14-414	14	31	1/4" NPT	14	14
		SS316		BFES14-316					-
	Socket Head	4140 Zinc Plating	Tungsten Carbide	BFESH14-414					-
		SS316		BFESH14-316					-
3/8" NPT	External Stinger	4140 Zinc Plating	Tungsten Carbide	BFES38-414	19	35	3/8" NPT	16	14
		SS316		BFES38-316					-
	Socket Head	4140 Zinc Plating	Tungsten Carbide	BFESH38-414					-
		SS316		BFESH38-316					-
1/2" NPT	External Stinger	4140 Zinc Plating	Tungsten Carbide	BFES12-414	22	40	1/2" NPT	17.5	17
		SS316		BFES12-316					-
	Socket Head	4140 Zinc Plating	Tungsten Carbide	BFESH12-414					-
		SS316		BFESH12-316					-
3/4" NPT	External Stinger	4140 Zinc Plating	Tungsten Carbide	BFES34-414	30	45	3/4" NPT	20	19
		SS316		BFES34-316					-
	Socket Head	4140 Zinc Plating	Tungsten Carbide	BFESH34-414					-
		SS316		BFESH34-316					-
1" NPT	External Stinger	4140 Zinc Plating	Tungsten Carbide	BFES11-414	34	50	1" NPT	22	22
		SS316		BFES11-316					-
	Socket Head	4140 Zinc Plating	Tungsten Carbide	BFESH11-414					-
		SS316		BFESH11-316					-

Remark: The product uses two stop pins only for 1"NPT, 3/4"NPT; the other size uses one stop pin. If the product specifications are not in the form, please contact us.